

**IMPORTANT:** Regular and thorough cleaning of machine combined with other routine maintenance procedures listed in the Operator's Manual greatly reduce the risk of fire, chance of costly downtime, and improve machine performance.

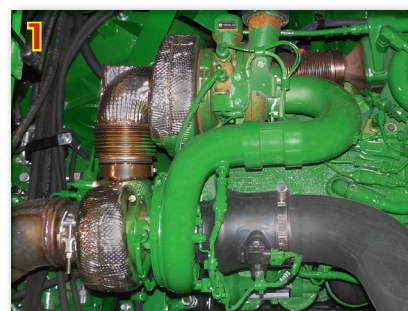
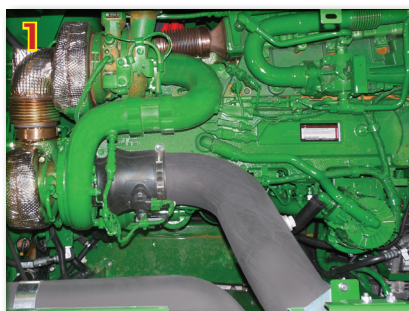
Crop material and other debris can accumulate in various areas. Direction of wind, type of crop, and crop moisture content can all impact where and how much crop material and debris can accumulate. Be aware of harvest conditions and adjust your cleaning schedule to ensure proper machine function and to reduce the risk of fire. These areas may require more frequent cleaning, even multiple times per day,

depending on harvest conditions. Inspect and clean these areas as needed throughout the harvest day.

Other areas not covered in this section may also collect crop debris and **MUST** be cleaned periodically for machine function and appearance.

Thoroughly inspect the entire machine on a regular basis throughout the harvest season.

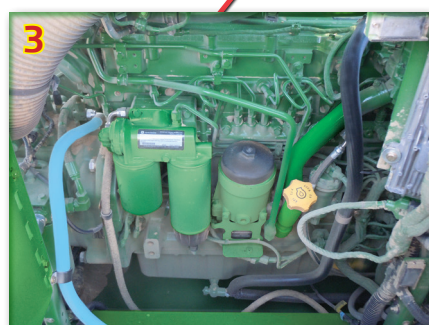
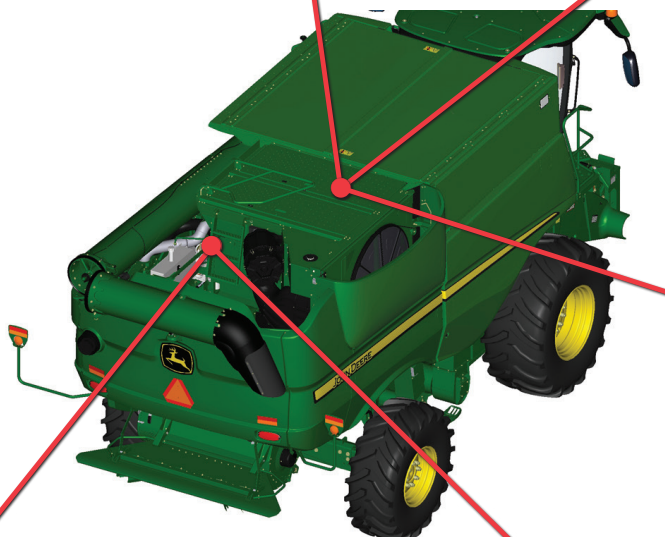
Refer to the Machine Cleanout Section of your Operator's Manual for further information.



**NOTE:** Some shields were removed for photo clarity.

**Engine Platform (FT4 shown - Tier 2 slightly differs)**

- Top Area of Engine and Turbocharger(s) (1)
- Exhaust Manifold and Manifold Shield, Turbo Interstage Tube, Exhaust Gas Recirculation (EGR) Cooler Tube (2)
- Around Engine (3)
- Underneath Engine (4)



### READ SAFETY INFORMATION IN OPERATOR'S MANUAL

Always follow all safety procedures posted on the machine and in the Operator's Manual. Before carrying out any inspection or cleaning, always shut OFF engine, set parking brake and remove key.

Thoroughly clean machine from top to bottom with compressed air. First clean all

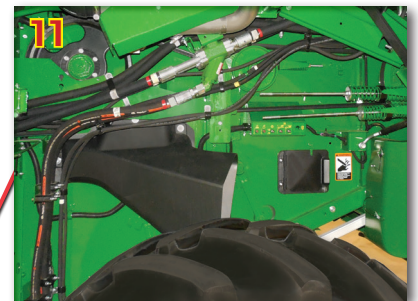
areas accessible from engine deck. Start with engine compartment and work outwards and counterclockwise to other areas around engine compartment, floor underneath engine, top rear of rotor and rear deck, including areas around Exhaust Aftertreatment Enclosure (if equipped). Once top areas of machine are clean, proceed to cleaning areas accessible from ground level.

From ground level, clean rear underside of fuel tank area and top of the rear tailboard of the residue disposal system. Exhaust Aftertreatment Enclosure area (if equipped) will also need to be cleaned from ground level. Once the cleaning from ground level is finished, recheck engine compartment for any crop debris that could have blown in from ground level cleaning.



### Engine Compartment (cont)

- Top rear of rotor and areas around rotor drive (5)
- Main Engine Gearcase (6)
- Areas around and under Exhaust Aftertreatment Enclosure (7)
- On Top of Fuel Tank (8)



### Ground Accessible

- Rear Tailboard and underneath Fuel Tank (9)
- Left Side Walk Area (10)
- Left Side Sidesheet Areas (11)

