

W&T Series Crop Conversion Grass

Serial Number 102000 And Higher



Platform Setup

REMEMBER:

Adjust the auger and auger finger according to the crop.

Check distance between intake auger and strippers.

Strippers adjusted as in DTAC 76721 (600R) & DTAC 104058 (700X).



Platform Setup

Feederhouse Angle:

The feederhouse angle needs to be set so that it is flat or slightly forward. This will allow you to pick up down crop without pushing earth.

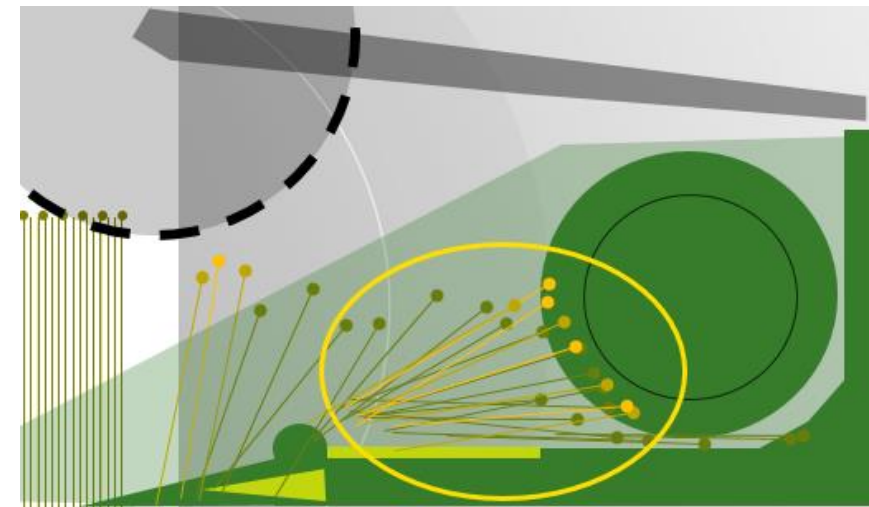
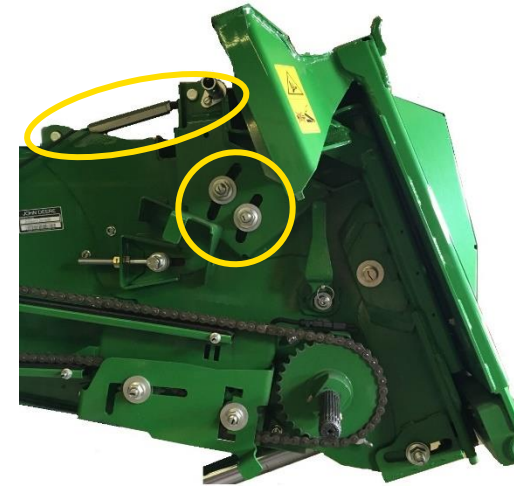
You can adjust the angle with the threaded bar on the Feederhouse.

If you need to modify for a different header, please follow the instructions in the Operator's manual:

Table Length:

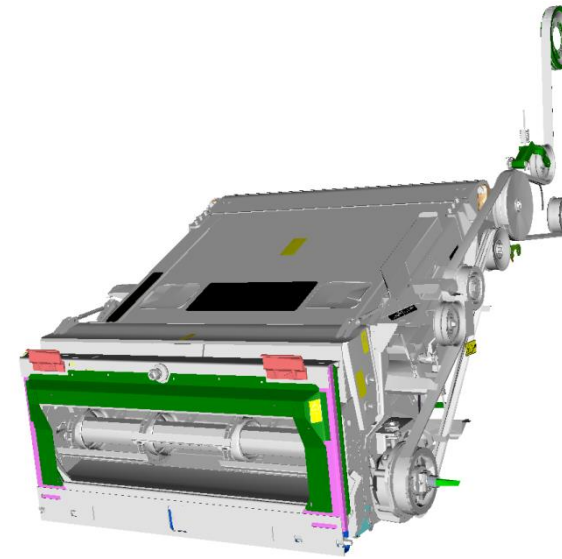
The 700X table length needs to be adjusted according to the crop height and stubble height.

Adjust the table length so that the heads fall in between the auger flights.



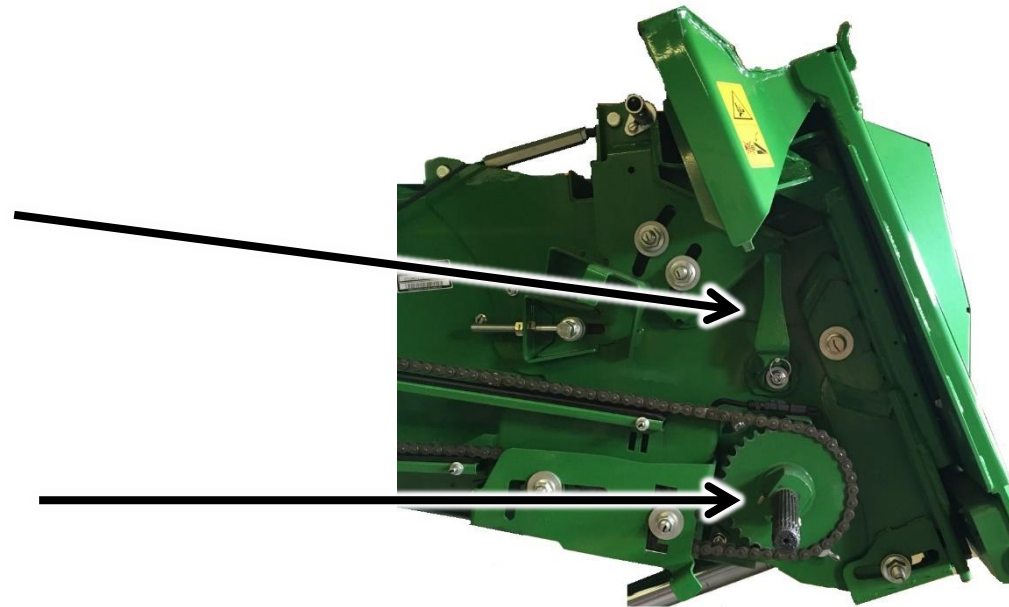
Feeder House

Drum Position	Down (handle backwards)
Sprocket	33 teeth
Top shaft stripper	No
Perforated Doors	No



Drum Position down:
Lever on LH & RH side in the back
position
(Picture shows drum position up)

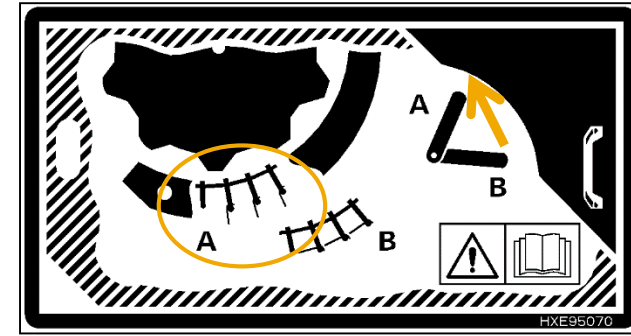
Sprocket:
Standard or
Dual Speed
with 33 teeth



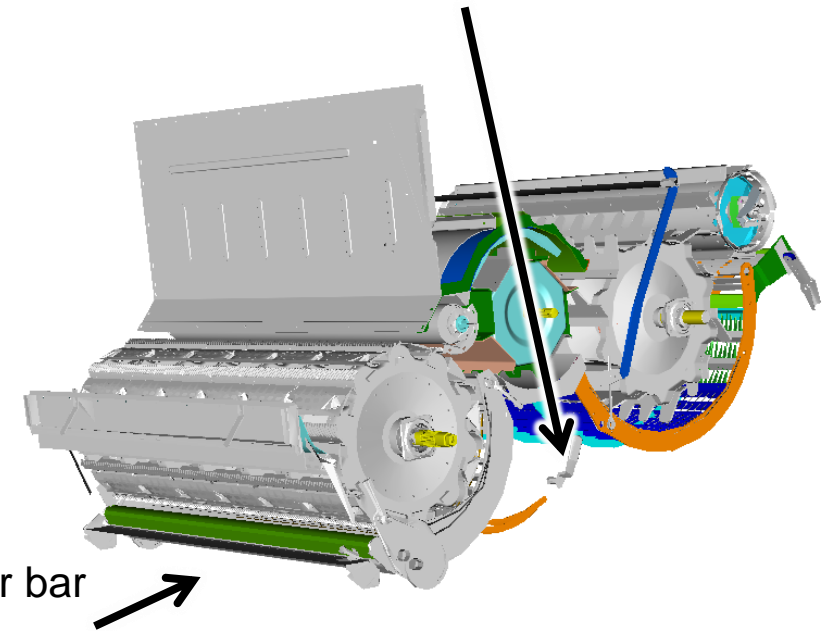
Threshing – T-Series



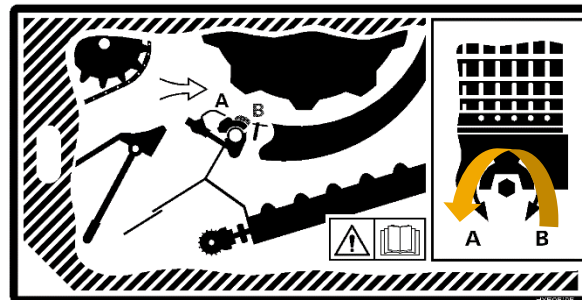
Stone trap cover plate	No
Booster bar	No
Concave	Universal
Cylinder filling plates	No
De-awning plates	No
Threshing speed range	High* *(if equipped with 2 speed cyl. Drive)
Threshing speed [rpm]	650 – 950
Concave clearance [mm]	5 – 10



De-awning plates



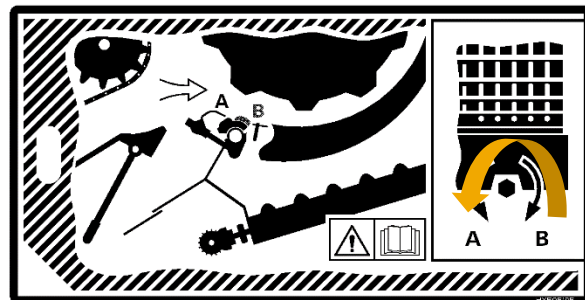
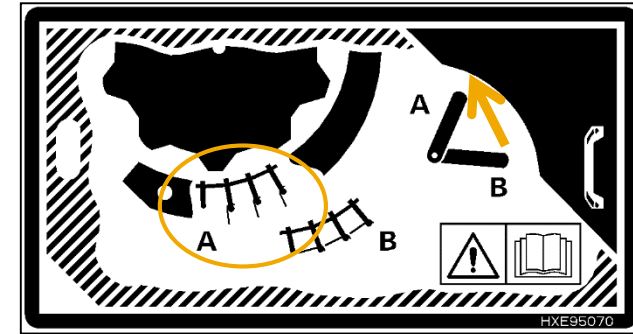
quick engage booster bar



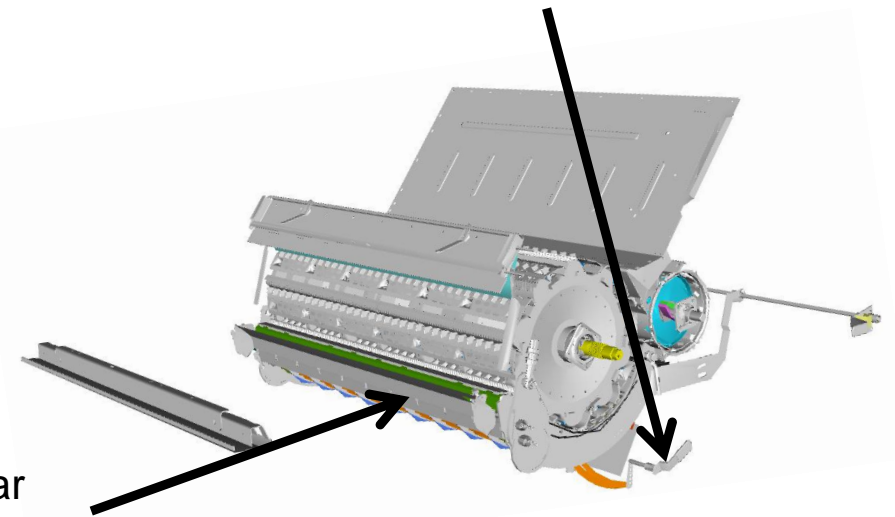
Threshing – W-Series



Stone trap cover plate	No
Booster bar	No
Concave	Universal
Cylinder filling plates	No
De-awning-plates	No
Threshing speed range	High* *(if equipped with 2 speed cyl. Drive)
Threshing speed [rpm]	650 – 950
Concave clearance [mm]	5 – 10

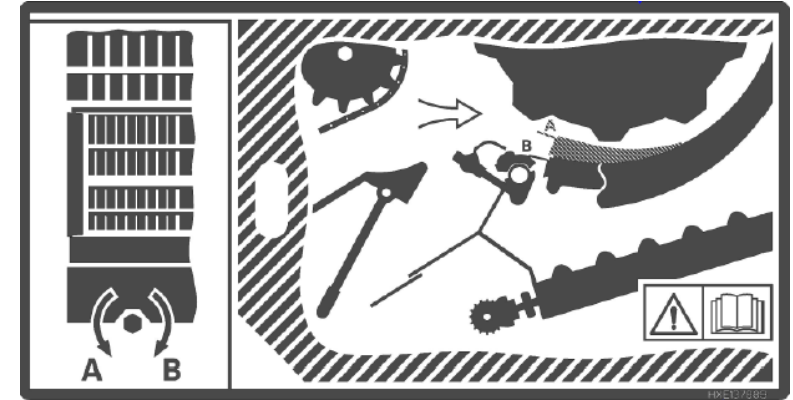


De-awning plates



Quick engage booster bar

Sectional concaves



For grass use the universal sections.

1. Open stone trap
2. Open concave completely
3. Disengage booster bar
4. Open sectional concave locking mechanism
5. Replace concave sections
6. Close the locking mechanism

Threshing Speed Range: Pin Positions



For grass choose high speed.

High:

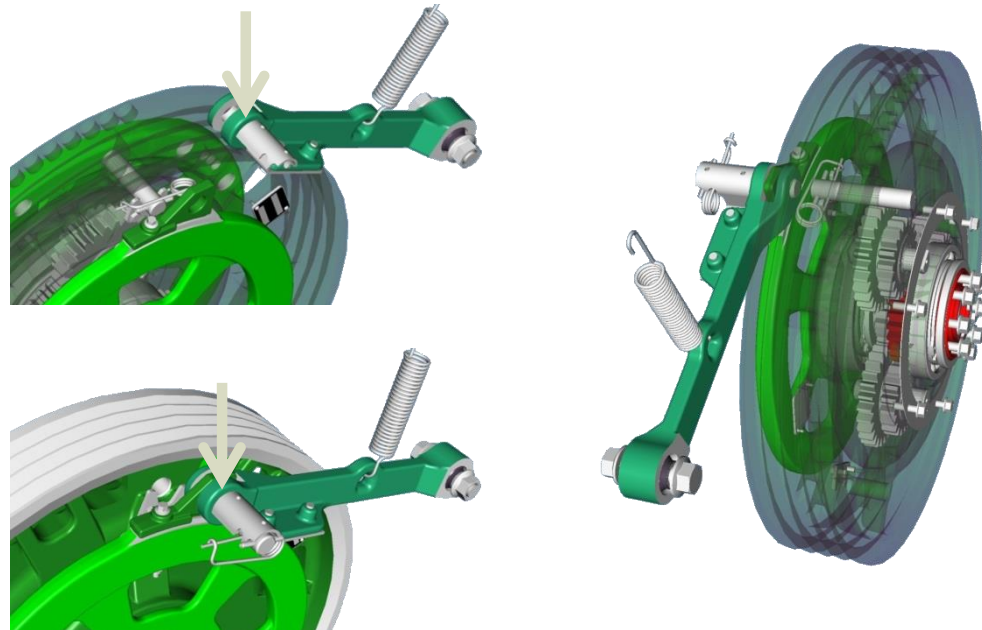
Inner locking pin engaged

Outside pulley free

Low:

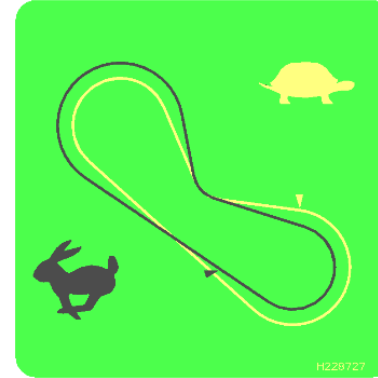
Inner locking pin free

Outside pulley locked



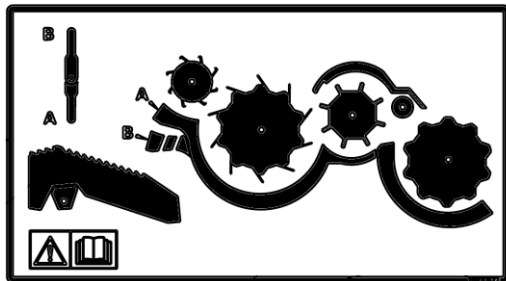
Separation – T-Series

T-Separator grate pos.	Closed
Rear beater grate position	Closed
T-Separator speed	Fast
Fish backs	If needed
Rubber Flap at the end of the Walkers	No

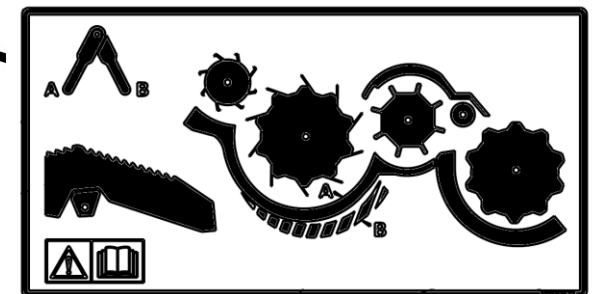


Separator speed

Rear beater grate position



Separator Grate Position



Separation – W-Series



Rear beater grate position	Closed
Rear beater speed reduction	No
Fish back	If needed
Power Separator	If needed
Rubber flap at the end of the walkers	No

Rear beater grate position

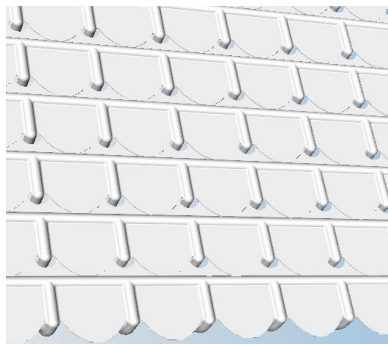


Cleaning Shoe

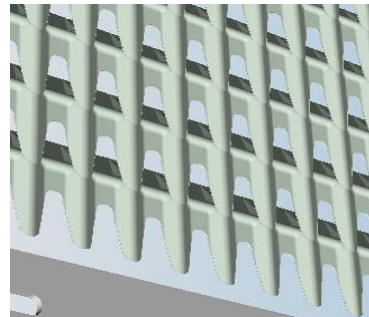


Chaffer [mm]	8 – 15 Standard or HP
Sieve [mm]	2 – 8 Standard
CCM Tailings cover	no
Fan speed [rpm]	440 – 650
Dual range fan speed	low* *(combine needs to be equipped with dual speed fan drive)

HP chaffer



Standard chaffer



Dual Range Fan Speed



OPERATING INSTRUCTIONS

OM

High

PDU 129: 550
PDU 130: 1350

Low

PDU 129: 300
PDU 130: 600

HXE104188



Message Center - Diagnostic Addresses

Device: **PDU.001 Vehicle**

129	Input	550
-----	-------	-----

130	Input	1350
-----	-------	------

129	Input	300
-----	-------	-----

130	Input	600
-----	-------	-----

Adjust the diagnostic addresses

PDU 129

PDU 130

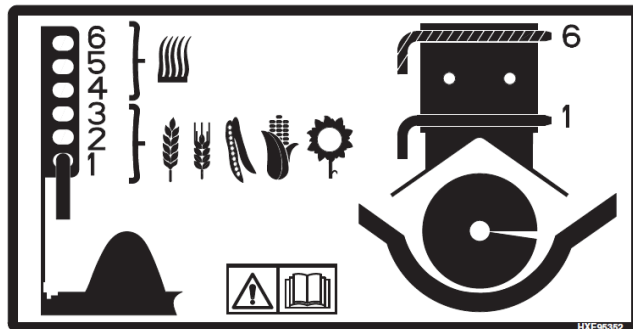
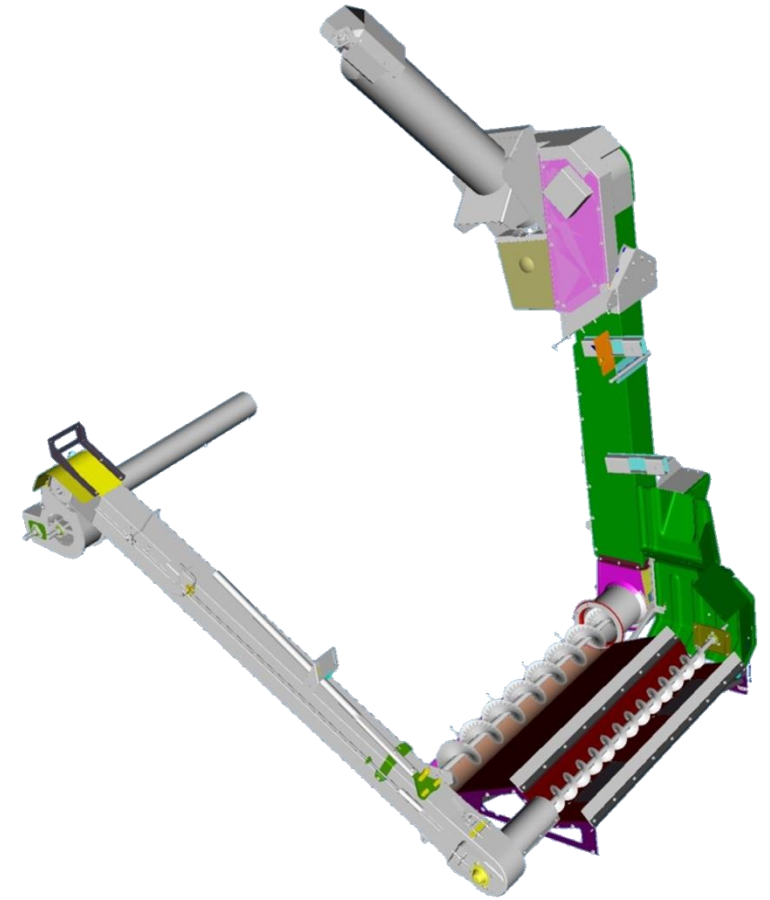
Changing the range without changing the addresses may result in damage to the fan speed variator. Enter the respective minimum and maximum setting for the selected fan drive range.

Grain Handling

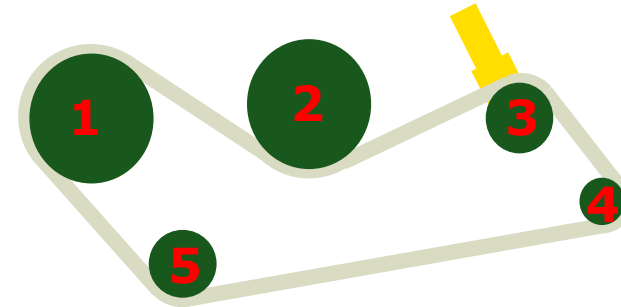


Clean grain elevator steel paddels	Yes
Cross auger cover position front	6
Cross auger cover position rear	3
U-Joint Paddle	Yes - mandatory
Perforated doors for elevator, etc.	No
Slip clutch	Yes
Grain tank speed changes	Yes - grass

If the rear cross auger cover position is too high, this can lead to blockage of the unloading auger elbow.



Grain Tank Speed Change Configuration



	1	2	3	4	5	chain
RUR standard	AH125070 49T	AH125070 49T	AH206131 24T	HXE33324 20T	HXE76913 46T	AXE55765 ¾in x198 links
Xtra fast standard	HXE63642 45T	HXE63642 45T	AXE27959 19T	HXE95326 21T	HXE63575 31T	AXE37810 1in x156 links
RUR grass	AH140001 60T	AH140001 60T	AH206131 24T	HXE33324 20T	HXE100784 34T	AXE56875 ¾in x204 links
RUR rice / corn	AH140001 60T	AH140001 60T	AH206131 24T	AH128074 17T	HXE100785 40T	AXE56875 ¾in x204 links
Xtra fast grass / rice / corn	HXE73865 54T	HXE73865 54T	HXE43629 19T	HXE64040 19T	HXE63575 31T	AXE57022 1in x162 links

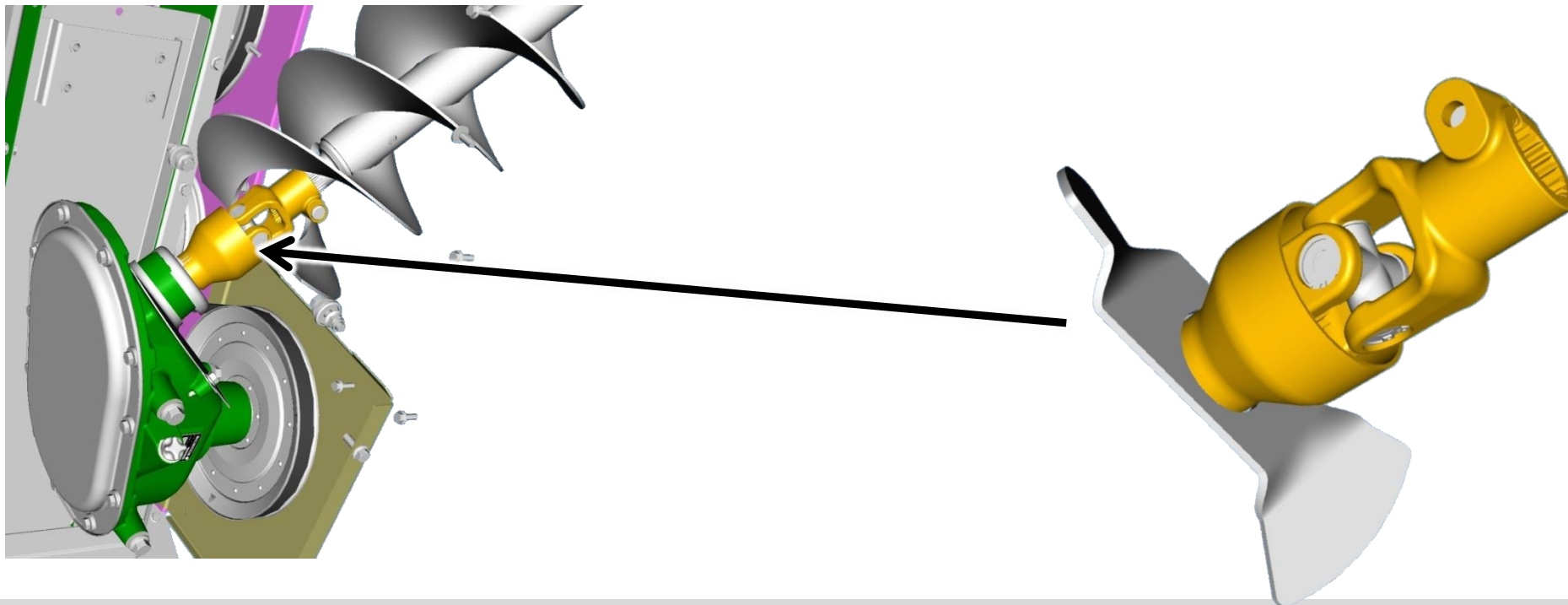
RUR: Regular unload Rate 88l/s
Xtra fast: Xtra fast unload rate 125l/s

Wing U-joint On Grain Tank Loading Auger



U-joint with wings prevents accumulation of **wet seeds** – **mandatory in grass**

- Included on all 9.0L and high unload rate combines (ex factory)
- Included in grass option package (ex factory)
- Available as spare part AZ64244

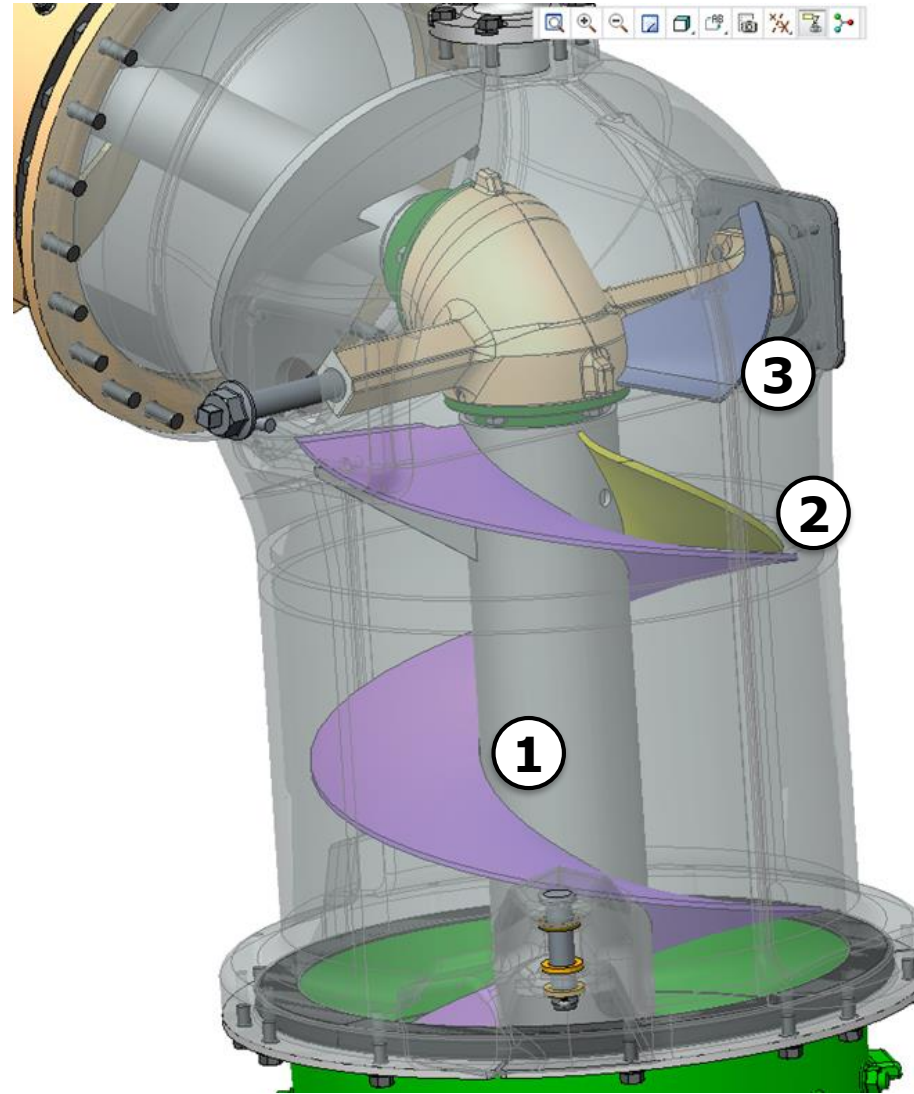
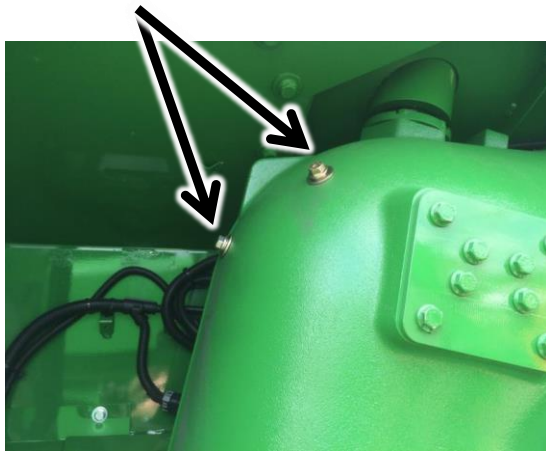


BXE 10996

Includes

1. Grass auger
2. additional auger flight / ramp
3. deflector

A visible sign that the deflector is installed are the two bolts on the auger elbow.

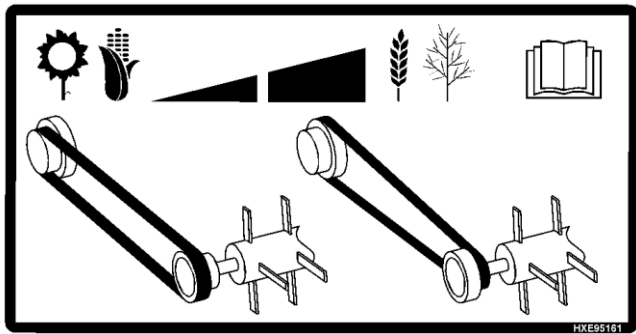
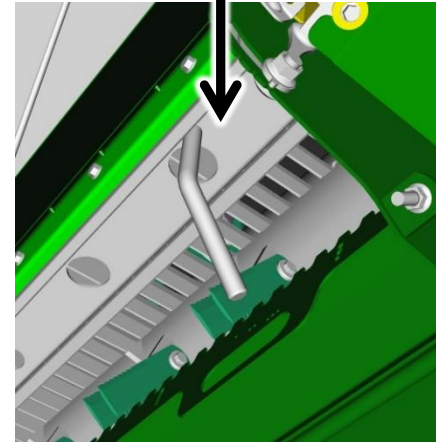


Residue

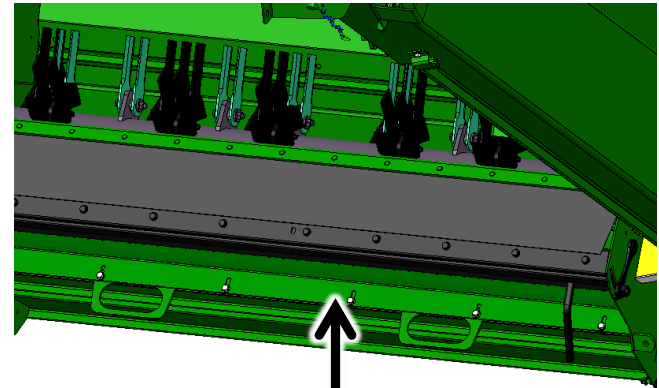
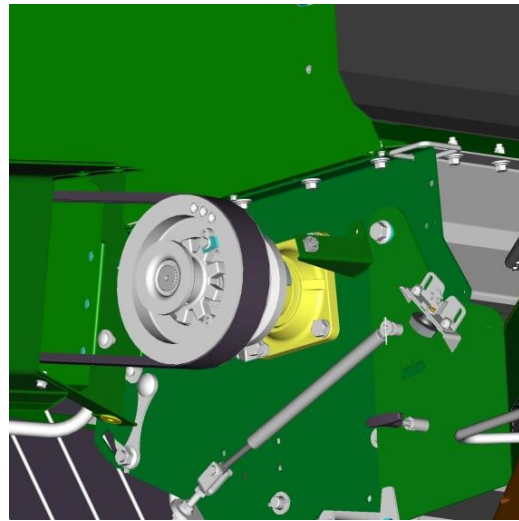


Chopper Speed	High speed
Counter knife position	Engaged
Cross bar	If needed
Chaff Spreader speed valve (if equipped)	Fast
Cob Deflector	No

Counter knife block

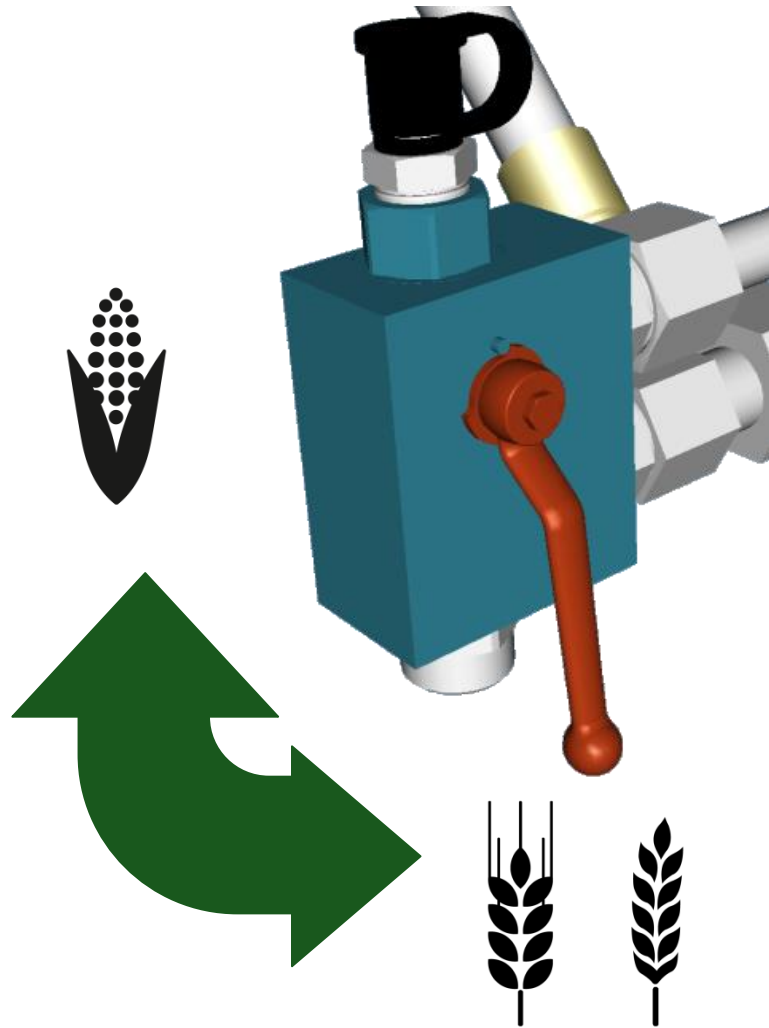


Chopper speed

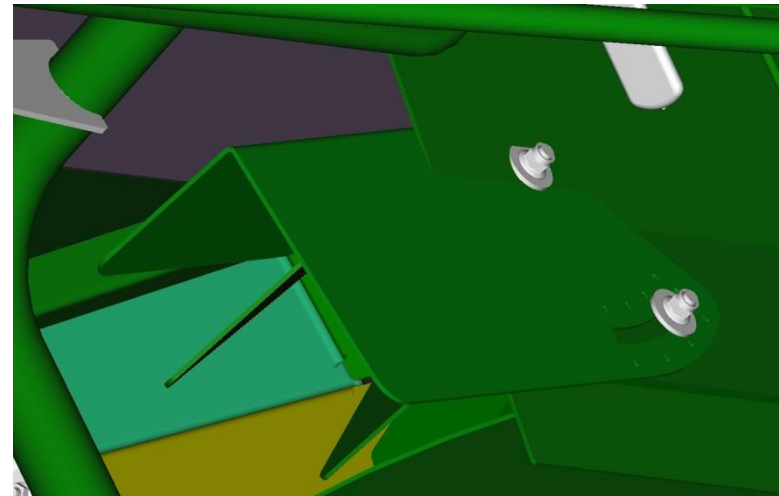


Cross bar

Chaff Spreader - Speed & Vanes



Vane adjustment:
Adjust to working width depending on
crop type and conditions.
635: fully up
616: fully down



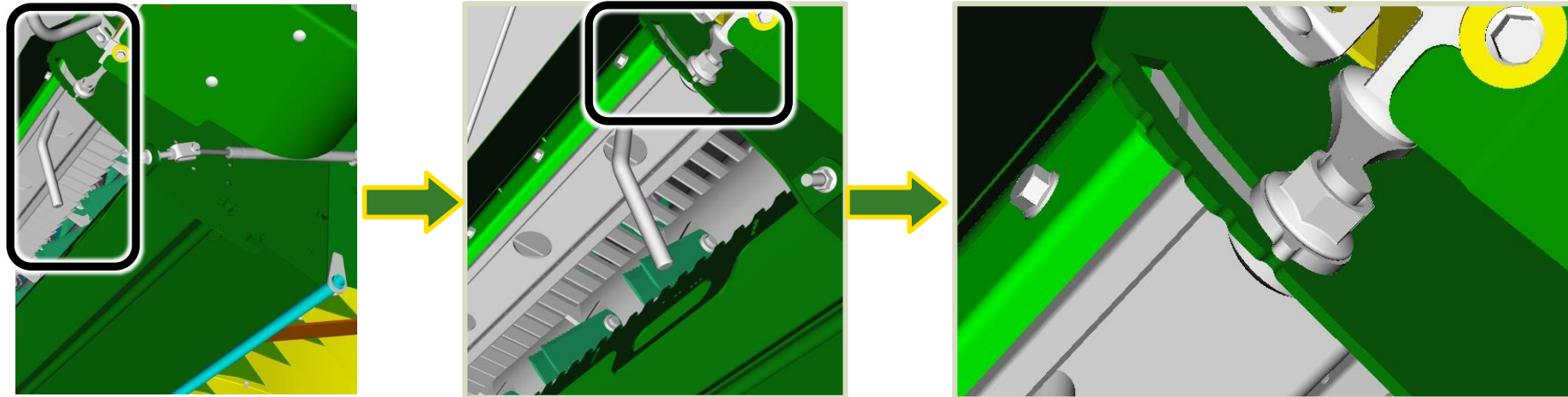
Counter Knife Adjustment

Stepless adjustment, wrench required

Grooves serve as indicator, both sides need to be equal

Grass: Start with a low setting and work your way in until desired chopping quality is reached.

Knives that are moved in too far do not provide for better chopping quality, and use a lot of power.



Residue - Cross bar

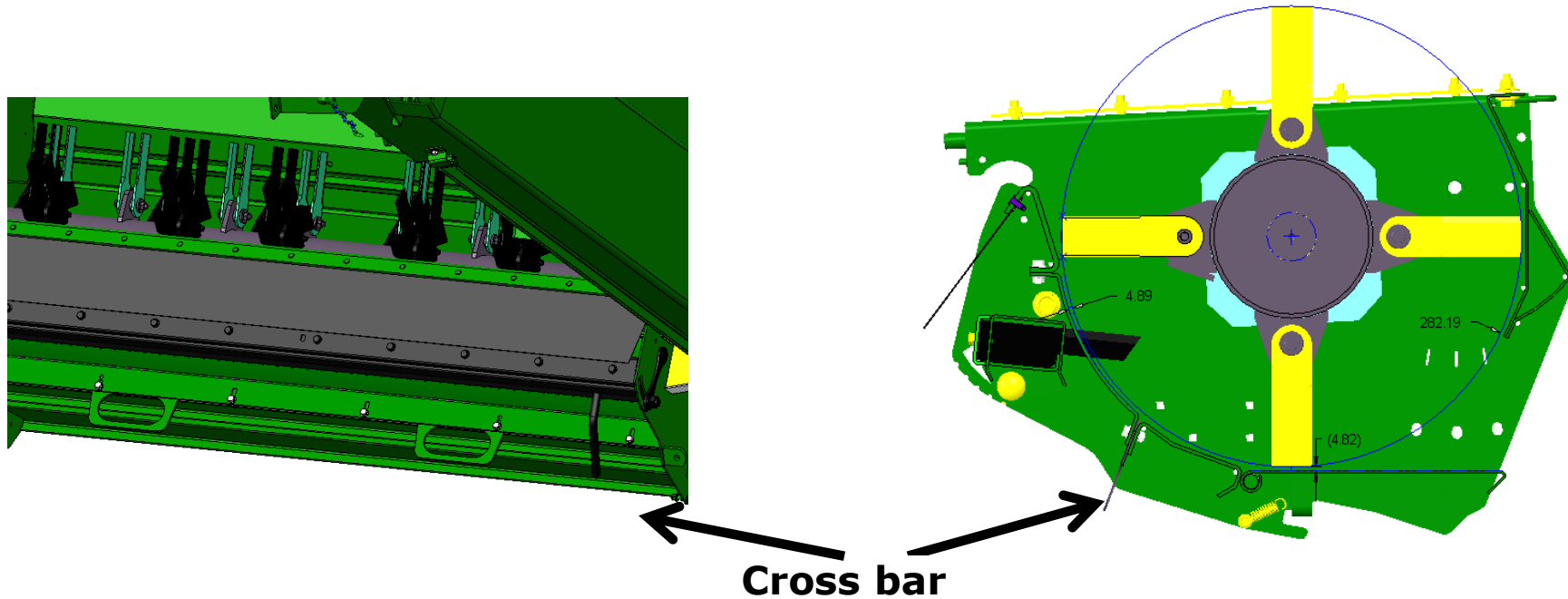


In base on FC and XFC chopper

Needed in tough conditions when expected chopping quality is not achieved with counter knife adjustment

Before engaging Cross bar, check if knives are still sharp enough

Attention: use of cross bar increases fuel consumption, adjust counterknives first.





JOHN DEERE