

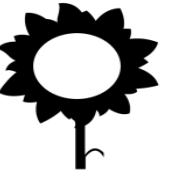
W&T Series Crop Conversion - Sunflower

Serial Number 102000 And Higher



JOHN DEERE

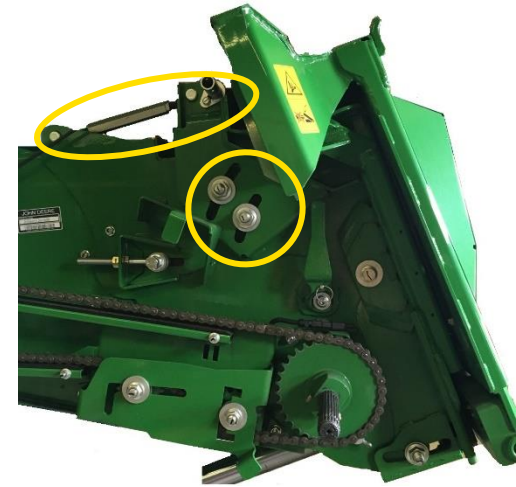
Platform Setup



Feeder House Angle:.

You can adjust the angle with the threaded bar on the Feederhouse.

If you need to modify for a different header please follow the instructions in the Operator's manual:



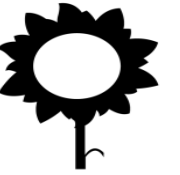
Platform

Sunflowers can be Harvested with a corn head, a special sunflower head, or modified 600R platform.

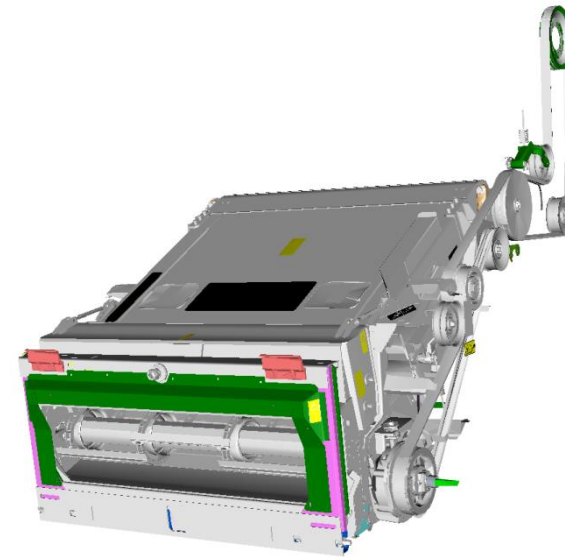
Please refer to you manufacturer's instructions how to best set up those headers for sunflower harvest.



Feeder House

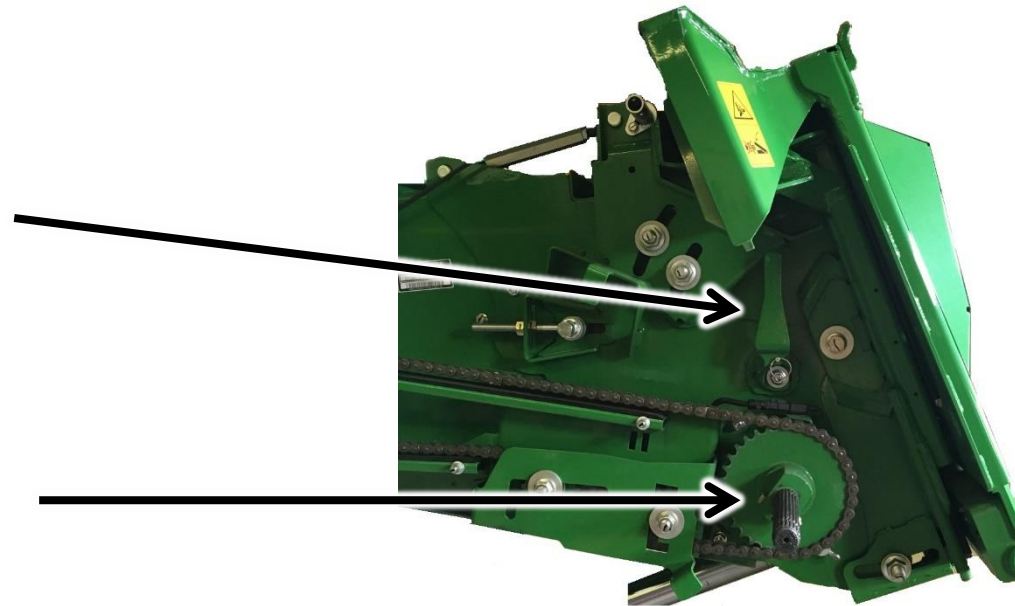


Drum Position	Up
Sprocket	15 teeth
Top shaft stripper	Not needed
Perforated Doors	No

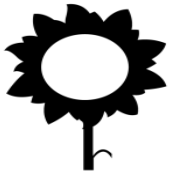


Drum Position:
Lever on LH & RH side in the
up position

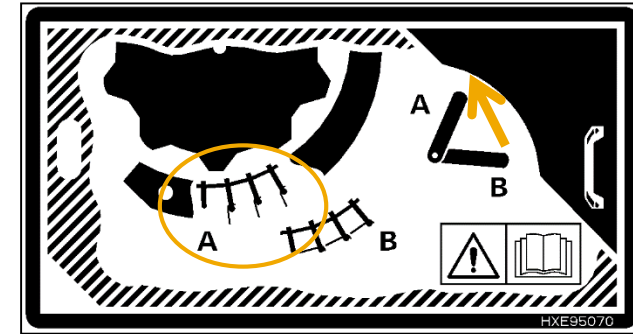
Sprocket:
Dual Speed
with 15 teeth



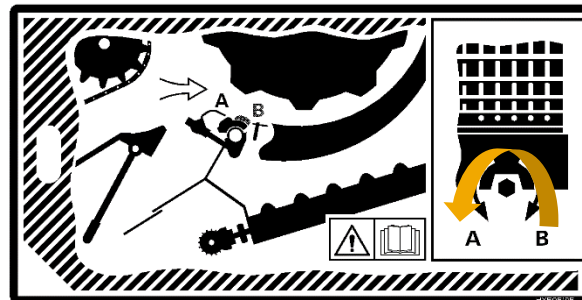
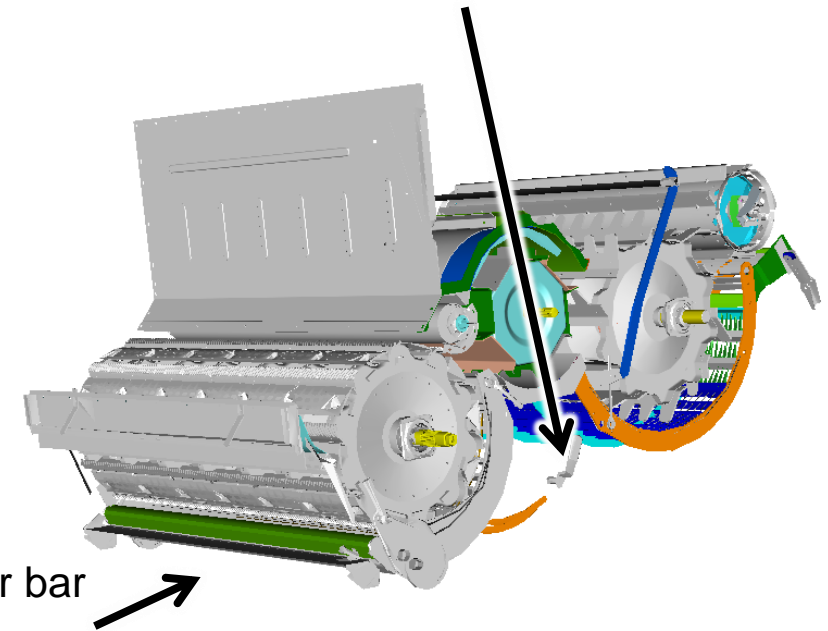
Threshing – T-Series



Stone trap cover plate	Yes
Booster bar	No
Concave	Universal
Cylinder filling plates	If needed (if unthreshed broken heads leave the machine)
De-awning plates	No
Threshing speed range	Low* *combine should be equipped with 2 speed cylinder drive
Threshing speed [rpm]	250 – 400
Concave clearance [mm]	35 – 40

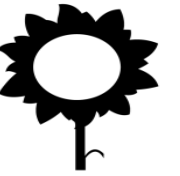


De-awning plates

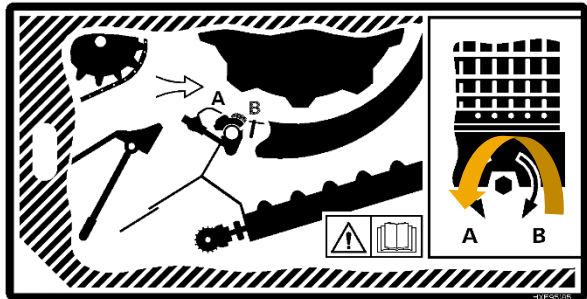
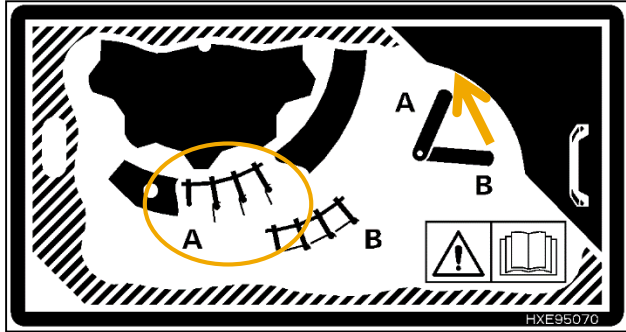


quick engage booster bar

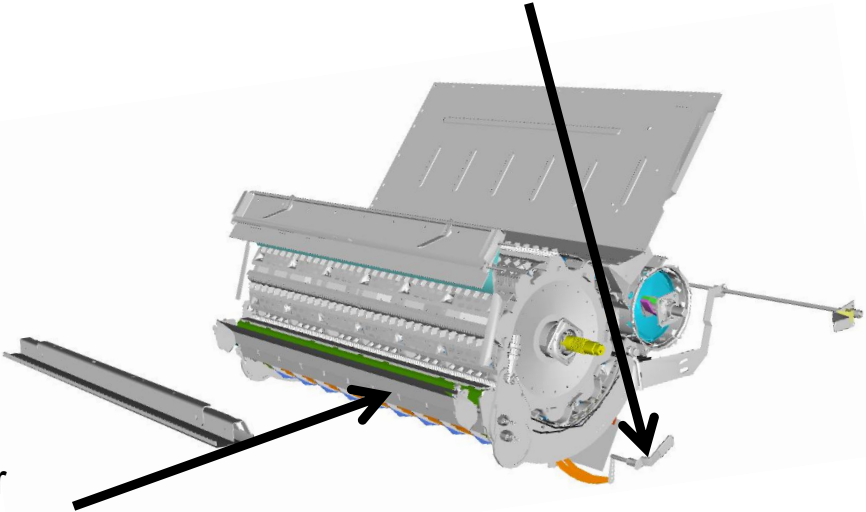
Threshing – W-Series



Stone trap cover plate	Yes
Booster bar	No
Concave	Universal
Cylinder filling plates	If needed (if unthreshed broken heads leave the machine)
De-awning plates	No
Threshing speed range	Low* *combine should be equipped with 2 speed cylinder drive
Threshing speed [rpm]	250 – 400 rpm
Concave clearance [mm]	35 – 40

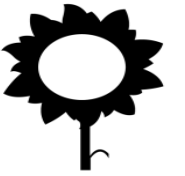


De-awning plates



Quick engage Booster bar

Threshing Speed Range: Pin Positions



For Sunflower use low range

High:

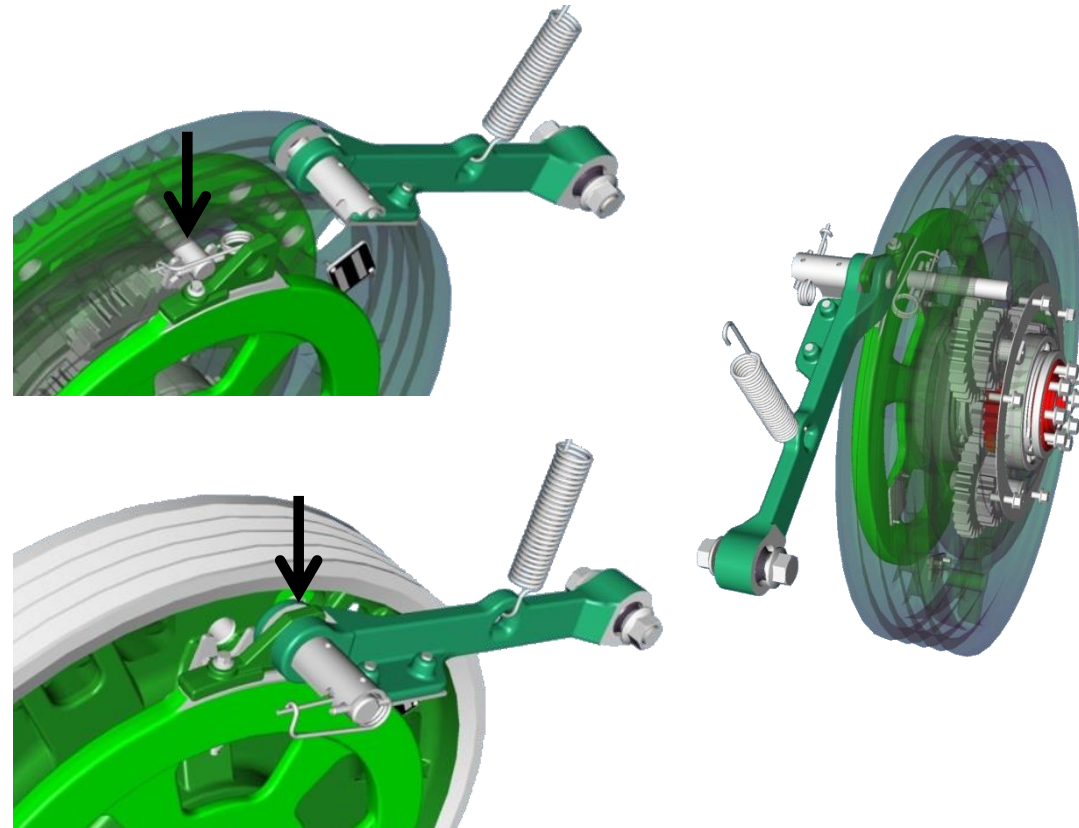
Inner Locking pin engaged

Outside pulley free

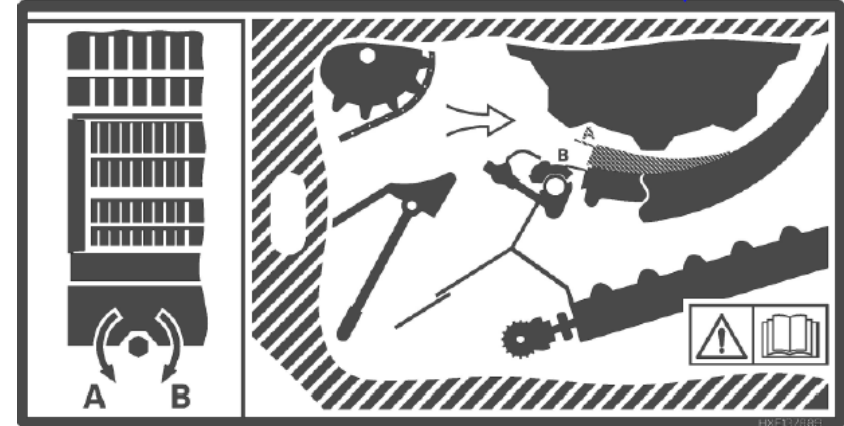
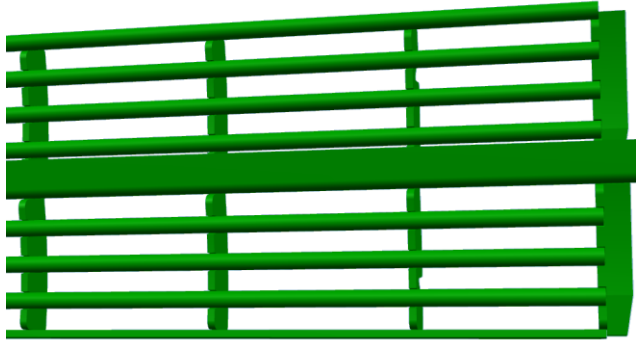
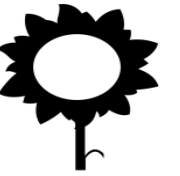
Low:

Inner locking pin free

Outside pulley locked



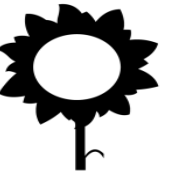
Sectional Concaves



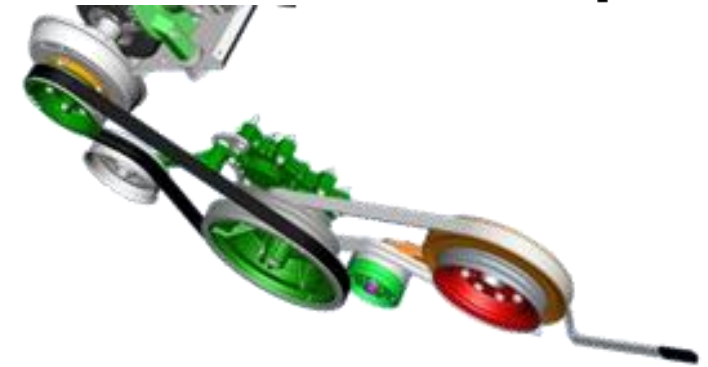
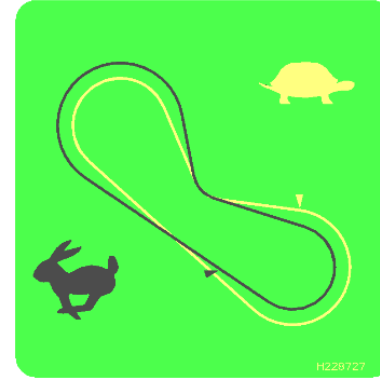
For sunflower use the roundbar concave inserts. In dry easy threshing conditions, where cleaning shoe load is a challenge, and broken kernels are not a problem, the universal inserts can be used as well.

1. Open stone trap
2. Open concave completely
3. Disengage booster bar
4. Open sectional concave locking mechanism
5. Replace concave sections
6. Close the locking mechanism

Separation – T-Series

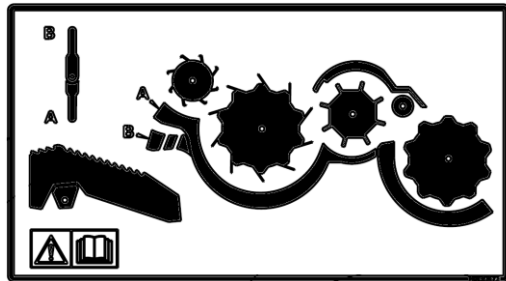


T-Separator grate position	Open
Rear beater grate position	Open
T-Separator speed	Low
Fishbacks	No
Rubber flap at the end of the walkers	Yes

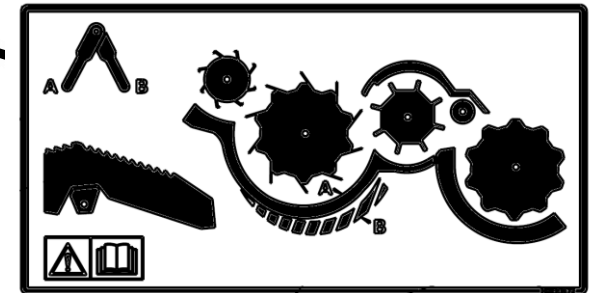


Separator speed

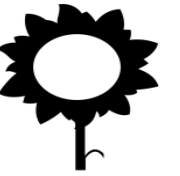
Rear beater grate position



Separator Grate Position

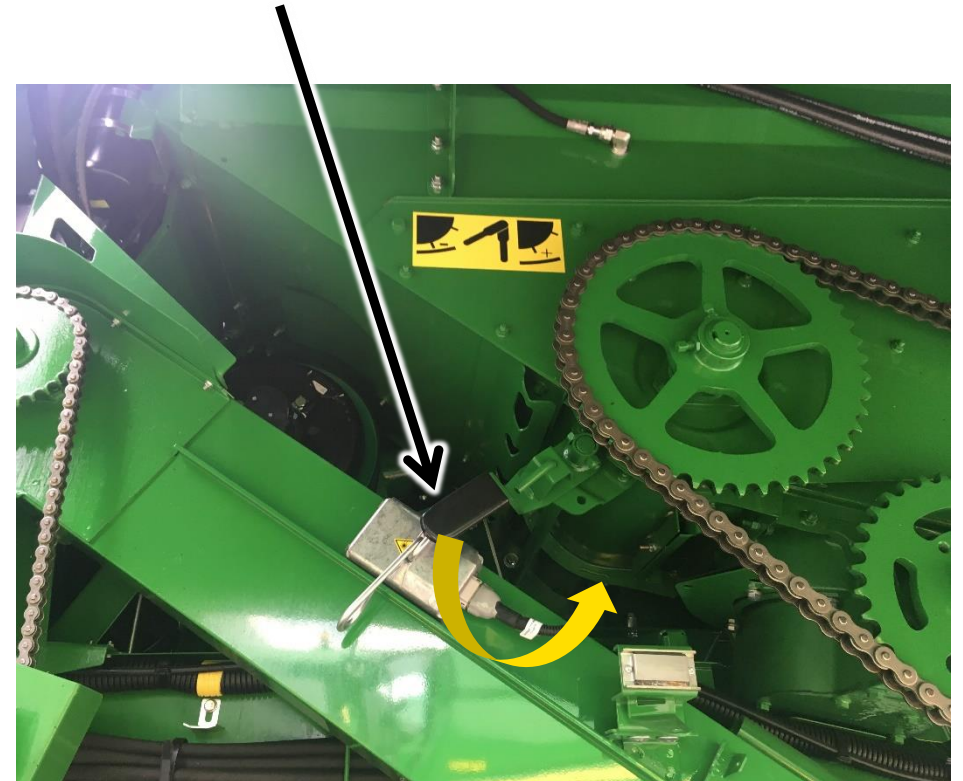


Separation – W-Series

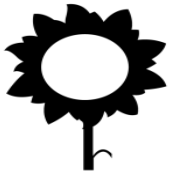


Rear beater grate position	Open
Rear beater speed reduction	No
Fishbacks	No
Power Separator	No
Rubber flap at the end of the walkers	Yes - mandatory

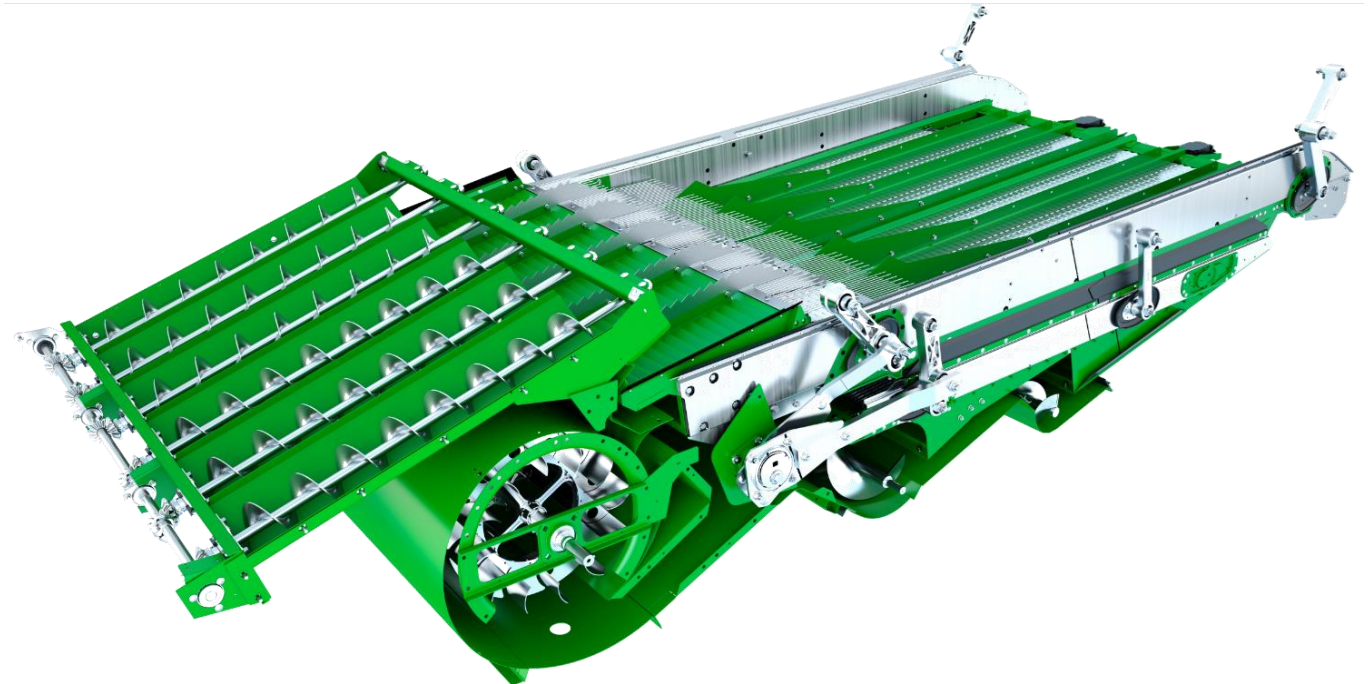
Rear beater grate position



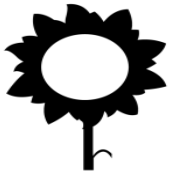
Cleaning Shoe

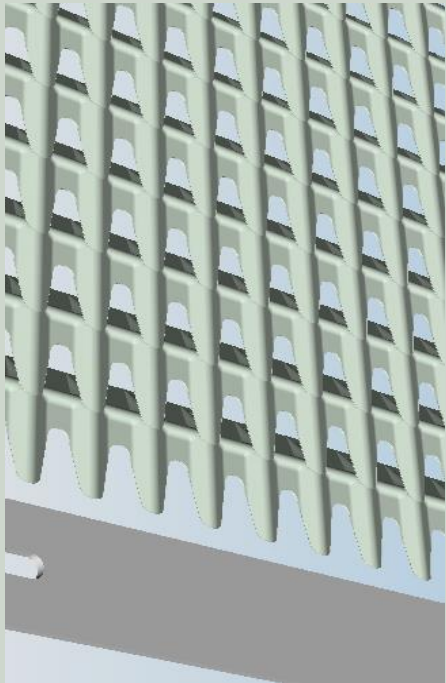
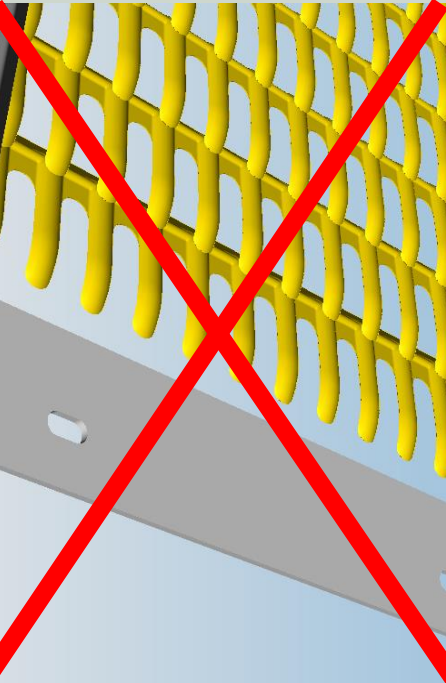
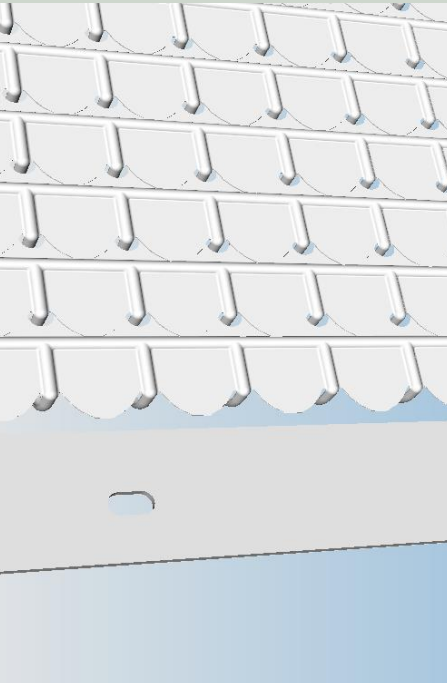
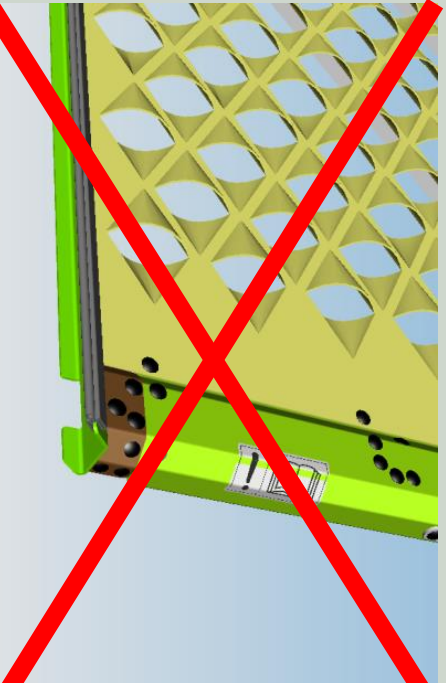


Chaffer [mm]	10 – 15 Standard or HP
Sieve [mm]	4 – 10 Standard
CCM Tailings cover	No
Fan speed	900 – 1100 rpm
Dual range fan speed	high* *(if equipped with 2 speed cylinder drive)

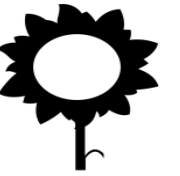


Cleaning Shoe – Chaffer / Sieve type

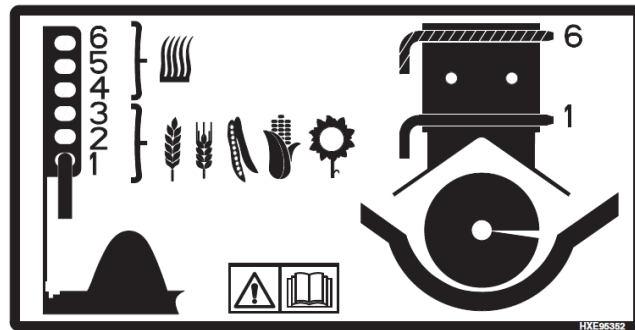
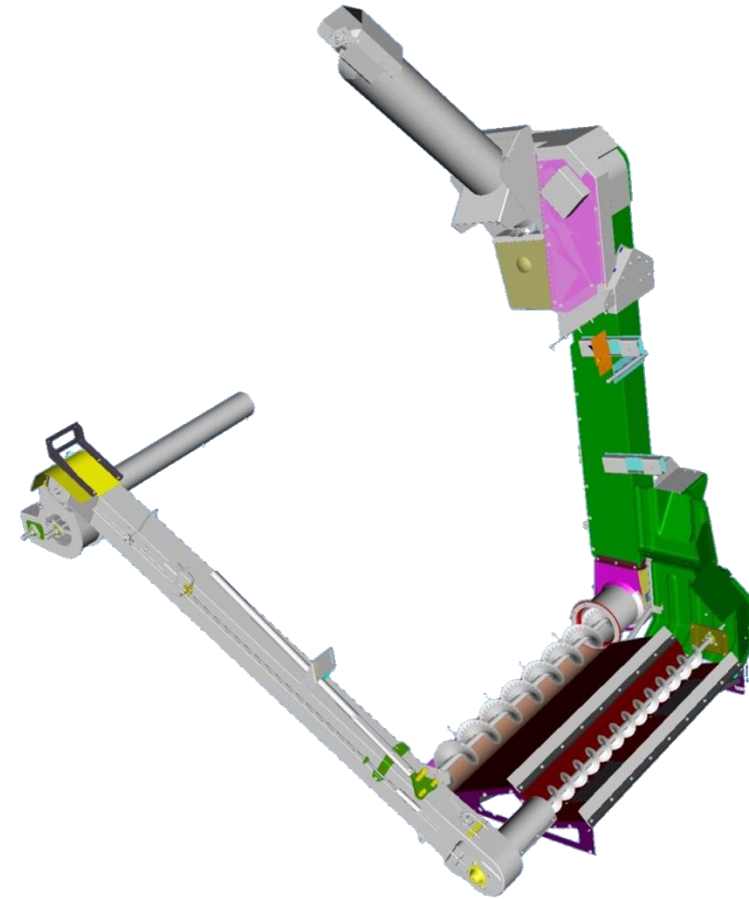


Standard	corn (ex CZ4)	HP (high perfo.)	CCM – Frog Mouth
 A 3D rendering of a standard cleaning shoe with a grey metal frame and a white, rectangular grid of perforations.	 A 3D rendering of a cleaning shoe with a yellow, wavy, vertical ribbed surface. A large red 'X' is overlaid on the image, indicating it is not recommended.	 A 3D rendering of a high-performance cleaning shoe with a grey metal frame and a white, wavy, vertical ribbed surface.	 A 3D rendering of a cleaning shoe with a yellow, diamond-shaped lattice pattern. A large red 'X' is overlaid on the image, indicating it is not recommended.

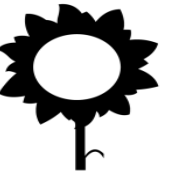
Grain Handling



Clean grain elevator steel paddels	Not mandatory
Cross auger cover position	1-3
U-Joint Paddle	Not mandatory
Perforated doors for elevator, etc.	No
Slip clutch	Not mandatory
Grain tank speed changes	No - standard

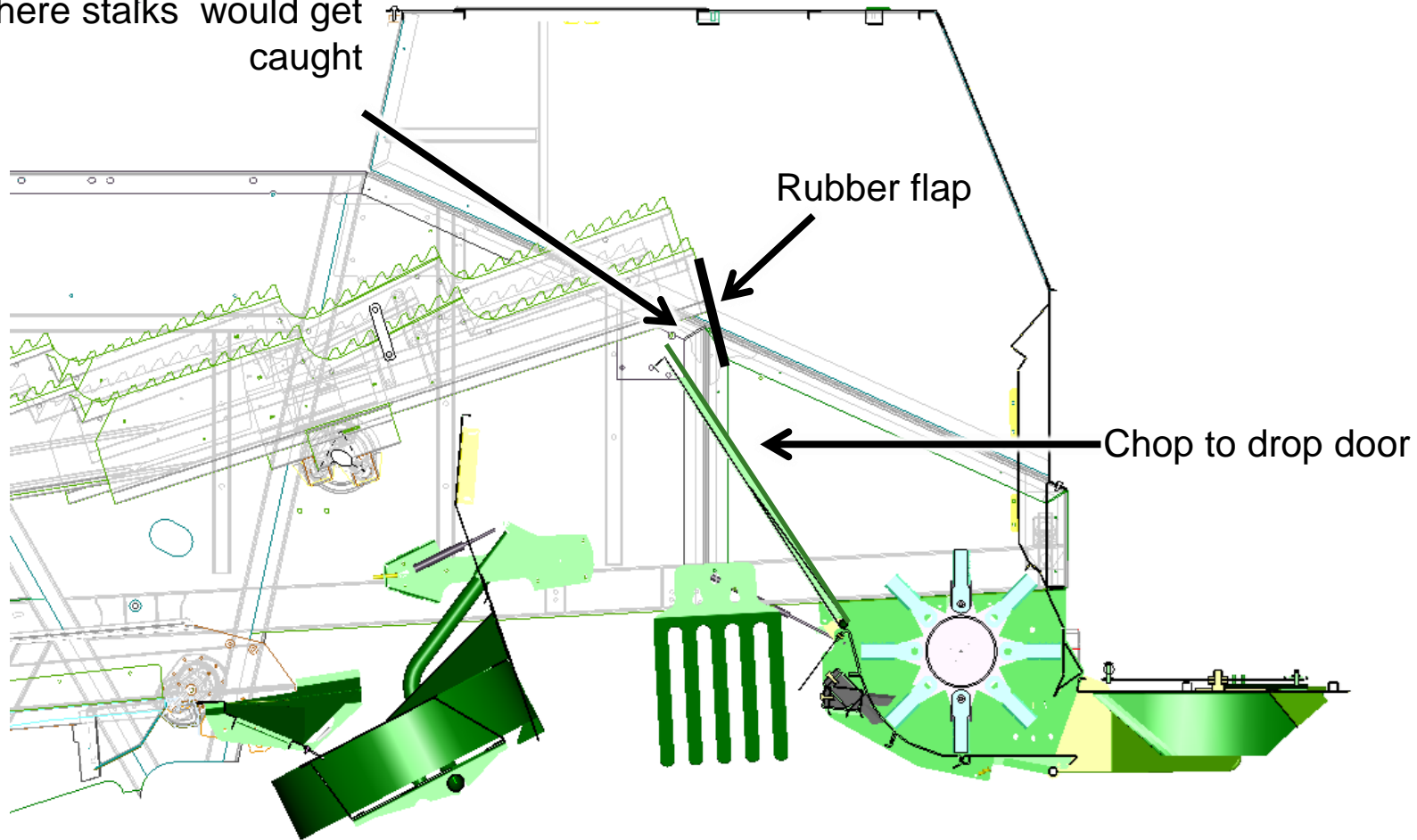


Materialflow In Sunflowers

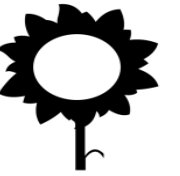


Graphic shows Chopping mode

Area where stalks would get caught



Materialflow In Sunflowers

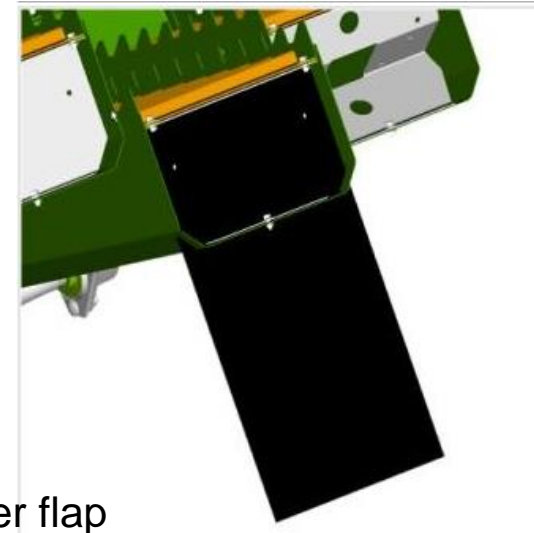


Rubber flaps

- One per walker
- Needed in sunflowers
- Covers the gap between walker and chop to drop door
- Prevent sunflower stalks (top part) from getting caught in the chop to drop door
- Remain installed for all other crops.
- Walkers are prepared for mounting the flaps

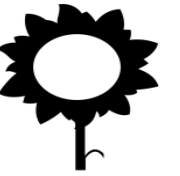


Sunflower stalk



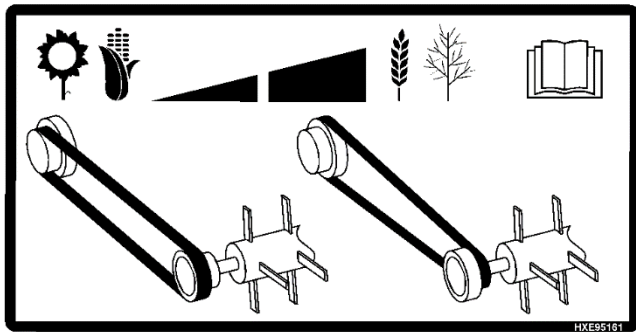
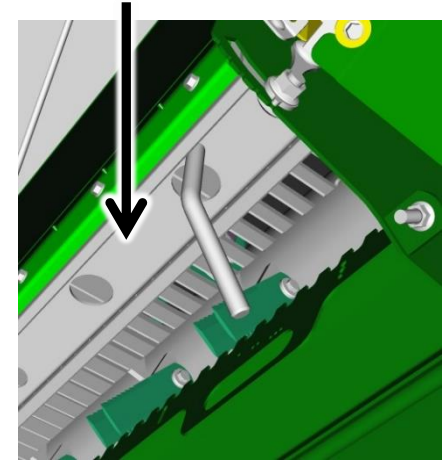
Rubber flap

Residue

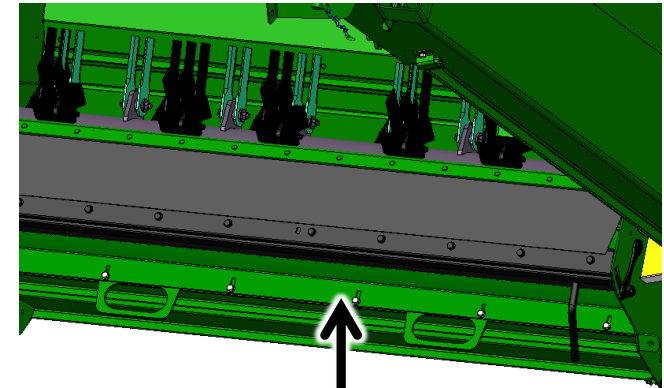
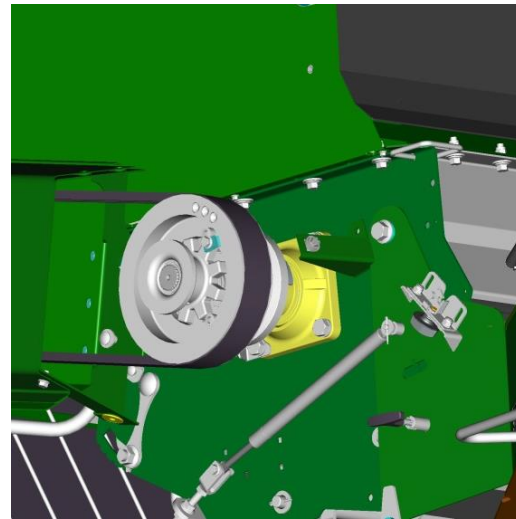


Chopper Speed	Low speed
Counter knife position	Disengaged
Splicer bar	Disengaged
Chaff Spreader speed valve (if equipped)	Fast
Cob Deflector	No

Counter knife

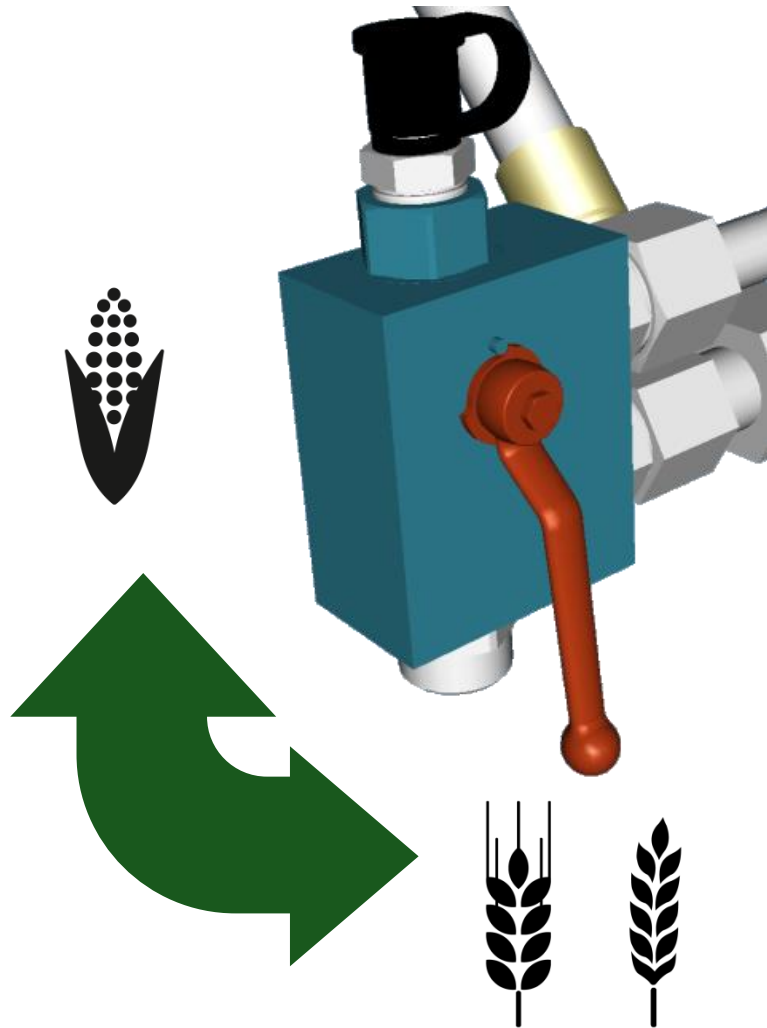


Chopper speed

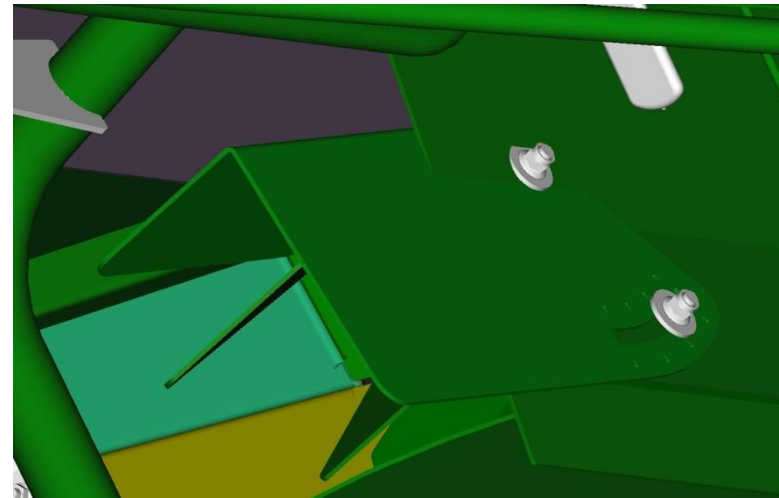


Splicer bar

Chaff Spreader - Speed & Vanes



Vane adjustment:
To working width depending on crop
type and conditions.
635: fully up
616: fully down





JOHN DEERE